

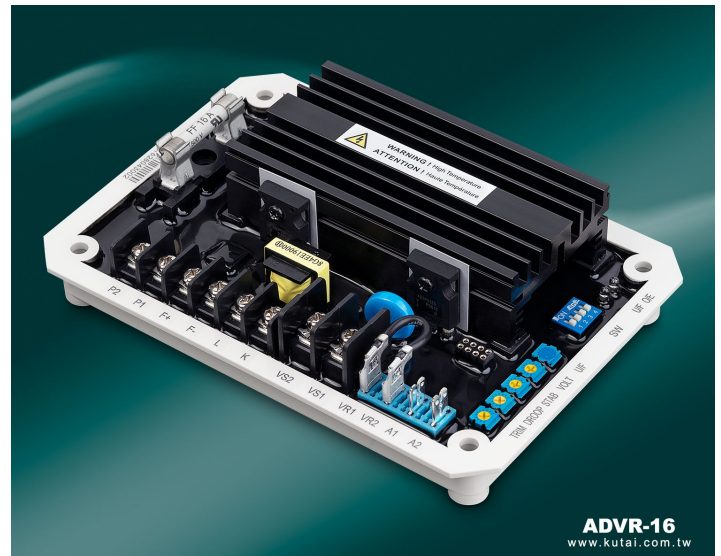
ADVR-16

Universal 16Amp 1/2 Wave Self Excited Automatic Voltage Regulator Can Be Used In Parallel Operation

Compatible with Mecc Alte UVR6, Marelli Motori M40FA640A-MARK I and Caterpillar AVR

Features

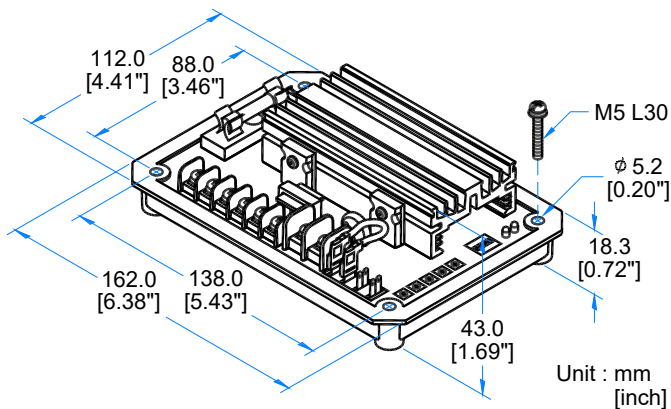
- Voltage regulation less than +/-0.5%
- Suitable for brushless type generator sensing input 170 to 510 Vac
- Can be used in parallel operation
- 16 A dc current output
- Suitable frequency 50/60 Hz
- Inverse-time over excitation protection
- O/E over excitation protection
- Under frequency protection & soft start voltage ramping
- Load CT current compensation, analog voltage input
- Digital circuit for voltage sensing and under frequency protection
- Effectively minimize the output voltage variations and under frequency knee point drifted affected by temperature changes



Specifications

Sensing Input	Voltage	170 to 510 Vac 1 phase 2 wire	Build Up Voltage	5Vac 25Hz residual volts at power input terminal
		DIP switch selectable		
	Frequency	50/60 Hz	Static Power Dissipation	Max. 4 watts
Power Input	Voltage	60 to 300 Vac 1 phase 2 wire	CT Current Compensation Input	1A or 5A (DIP switch selectable)
Excitation Output	Voltage	220V 1 phase Continuous 63 Vdc 16A	Analogue Voltage Input	Max. +/-5 Vdc +/-10% @ +/-3 Vdc
		Max. 90 Vdc 20A for 10 seconds	Under Frequency Protection	55 Hz @ 60 Hz (adjustable) 45 Hz @ 50 Hz (adjustable)
	Resistance	Min. 4 ohms	Voltage Thermal Drift	Less than 3% at -40 to +70 °C
External Voltage Adjustment		Max. +/- 10% @ 1K ohms 1 watt potentiometer	Over Excitation Protection	When excitation output > 40% Power Input, excitation output will shutdown after 10 sec
Voltage Regulation	Less than +/-0.5% (with 4% engine governing)			

Dimensions



AVR Control Functions

VOLT	Voltage adjustment
STAB	Stability adjustment
U/F	Setting under frequency protection knee point
DROOP	Droop adjustment
TRIM	Analogue input adjustment

Environment

Operating Temperature	-40 to +70 °C
Storage Temperature	-40 to +85 °C
Relative Humidity	Max. 95%
Vibration	5.5 Gs @ 60 Hz

Physical Specifications

Dimensions	162.0 (L) x 112.0 (W) x 43.0 (H) mm
	6.38 (L) x 4.41 (W) x 1.69 (H) inch
Weight	510 g +/-2%
	1.125 lb +/- 2%

